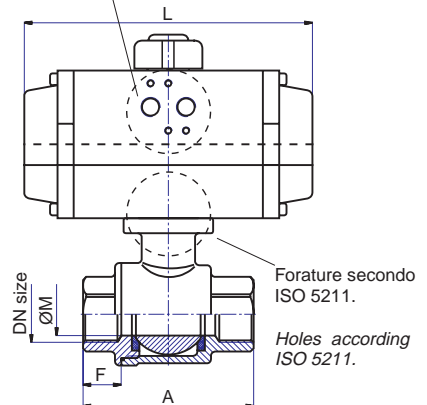

Dimensioni d'ingombro valvola a sfera con leva manuale
Overall dimensions ball valve with lever

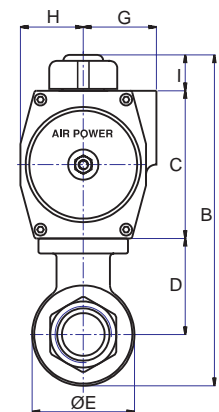
Diam/Size	A	B	C	D	øE	F	øG	øH	L	øM	∅N	FATTORE CV	PESO		
mm ins.												CV FACTOR	WEIGHT		
8 1/4	49.6	60.5	110	36	32.4	9.6	F03	36	F04	42	41.7	11	9	6.6	0.3
10 3/8	49.6	60.5	110	36	32.4	9.6	F03	36	F04	42	41.7	12.7	9	7.9	0.3
15 1/2	55	62.5	110	38	34.6	12	F03	36	F04	42	41.7	15	9	11.2	0.34
20 3/4	75.5	69.2	136	41.7	43.9	19	F03	36	F04	42	41.7	20	9	21	0.62
25 1	82.5	71.9	136	44.4	50.3	19.5	F04	42	F05	50	50.4	25	9	35	0.78
32 1 1/4	90.8	86.3	158	54	62.6	20.3	F04	42	F05	50	66.5	32	11	57	1.35
40 1 1/2	103	93.7	203	59.5	74.1	24.5	F05	50	F07	70	66.5	40	11	85	1.91
50 2	120	101.2	203	67	89.1	29	F05	50	F07	70	66.5	50	14	148	2.8
65 2 1/2	155	142.8	322.5	101.5	116.7	34.5	F07	70	F10	102	93	65	17	265	6.98
80 3	182	153.8	322.5	112.5	140.7	40	F07	70	F10	102	93	80	17	415	10.3

Dimensioni d'ingombro valvola a sfera con attuatore pneumatico a doppio effetto
Overall dimensions ball valve with pneumatic actuator - double acting

Diam/Size	Modello	A	B	C	D	øE	F	G	H	I	L	øM	PESO
mm ins.	Model												WEIGHT
8 1/4	AP0-DA	49.6	122.2	45	36	32.4	9,6	28.5	22.5	25	110	11	0.9
10 3/8	AP0-DA	49.6	122.2	45	36	32.4	9.6	28.5	22.5	25	110	12.7	0.9
15 1/2	AP1-DA	55	147.3	67	38	34.6	12	41	30	25	137	15	1.52
20 3/4	AP1-DA	75.5	155.7	67	41.7	43.9	19	41	30	25	137	20	1.8
25 1	AP1-DA	82.5	161.6	67	44.4	50.3	19.5	41	30	25	137	25	1.95
32 1 1/4	AP2-DA	90.8	193.3	83	54	62.6	20.3	44.5	36.5	25	150	32	2.98
40 1 1/2	AP2-DA	103	204.6	83	59,5	74.1	24.5	44.5	36.5	25	150	40	3.53
50 2	AP3-DA	120	236.6	100	67	89.1	29	49.5	42.5	25	204	50	5.63
65 2 1/2	AP3.5-DA	155	294.9	110	101.5	116.7	34.5	53	49	25	230	65	11.3
80 3	AP3.5-DA	182	317.9	110	112.5	140.7	40	53	49	25	230	80	14.62

 Connessione per elettrovalvola secondo "NAMUR".
 "NAMUR" connection for solenoid valve.

Dimensioni d'ingombro valvola a sfera con attuatore pneumatico a semplice effetto
Overall dimensions ball valve with pneumatic actuator - spring return

Diam/Size	Modello	A	B	C	D	øE	F	G	H	I	L	øM	PESO
mm ins.	Model												WEIGHT
8 1/4	AP1-SR	49.6	144.2	67	36	32.4	9.6	41	30	25	137	11	1.6
10 3/8	AP1-SR	49.6	144.2	67	36	32.4	9.6	41	30	25	137	12.7	1.6
15 1/2	AP1-SR	55	147.3	67	38	34.6	12	41	30	25	137	15	1.63
20 3/4	AP2-SR	75.5	171.7	83	41.7	43.9	19	44.5	36.5	25	150	20	2.5
25 1	AP2-SR	82.5	177.6	83	44.4	50.3	19.5	44.5	36.5	25	150	25	2.65
32 1 1/4	AP3-SR	90.8	210.3	100	54	62.6	20.3	49.5	42.5	25	204	32	4.75
40 1 1/2	AP3-SR	103	221.6	100	59.5	74.1	24.5	49.5	42.5	25	204	40	5.3
50 2	AP3.5-SR	120	246.5	110	67	89.1	29	53	49	25	230	50	7.75
65 2 1/2	AP4-SR	155	309.9	125	101.5	116.7	34.5	58	55	25	271	65	13.95
80 3	AP5-SR	182	362.9	155	112.5	140.7	40	70	70	35	360	80	24.5


Dimensionamento attuatore:

- alimentazione aria attuatore 5.5 bar (80 psi) min. con un ΔP valvola 16 bar (232 psi) max.

Actuator sizing:

- air supply actuator 5.5 bar (80 psi) min. with ΔP valve 16 bar (232 psi) max.