

Technical data

Type		SD 03	SD 05	SD 10	SD 25
Torque	Nm	1...3.5	1...6	2...10	4...25
Speed	rpm	1...6 ¹⁾	1...8 (10) ⁵⁾	1...15	1...15
Max power consumption (@ 230 V)	VA	26	50	60	120
Nominal current (@ 230 V)	mA	110	220	260	520
Type of motor ³⁾	Power factor	sm 0,84	sm 0,95	bldc 0,95	bldc 0,95
Motor protection ⁴⁾		E	E	E	E
Max power consumption (@ 24V DC)	W	26	50	60	120
Nominal current (@24 V DC)	A	1.1	2.1	2.5	5.0
Valve attachment EN ISO 5210		F05		F10	
Weight	kg			ca. 8	
Max. revolutions				18 (19) revs	
Power supply ²⁾		24 VDC / 90...264 VAC; 47...63 Hz			
Type of duty according to IEC 34-1		S2 – 15 min, S4 – 30% c.d.f. 1200 c/h			
Cable entry		2 dummy plugs M20 x 1.5	3 dummy plugs M20 x 1.5		
Electrical connection		spring terminal board in separate terminal box; "e" increased safety terminal cross section 4 mm ² max. (12AWG)			
Switch off in end position		electronically setup of torque or limit in both directions			
Control		analogue 0...10 V input impedance >100 kOhm, 0 (4)...20 mA input impedance 50 Ohm by control input 24 VDC, galvanically isolated Ri=1500 Ohm (I >10 mA) OPEN, CLOSE, REMOTE, RESET			
Feedback signal		analogue 0...10 V, 0 (4)...20 mA, working resistance max. 500 Ohm via contactless sensor			
Self-locking		none			
Digital signals		fault status indication signal 24 VDC, I max. 50 mA, galvanically isolated			
Set up		setup by remote signal setup by DIP switches setup by program buttons	init / reset zero value input / output signal ascending / descending signal operation mode torque, speed, max. revs, type of switch off in end position, operating / configuration parameters		
Positioning accuracy		< 0.5%			
Mounting position		as desired, however downward position not possible			
Ambient temperature ⁶⁾		-20 °C to +40 °C (-40 °C to +60 °C)			
Manual operation		hand wheel at side of actuator			
Explosion protection (only for -Ex actuators)		II2G Ex de IIB T4			
Enclosure protection acc. to EN 60529		IP 67			

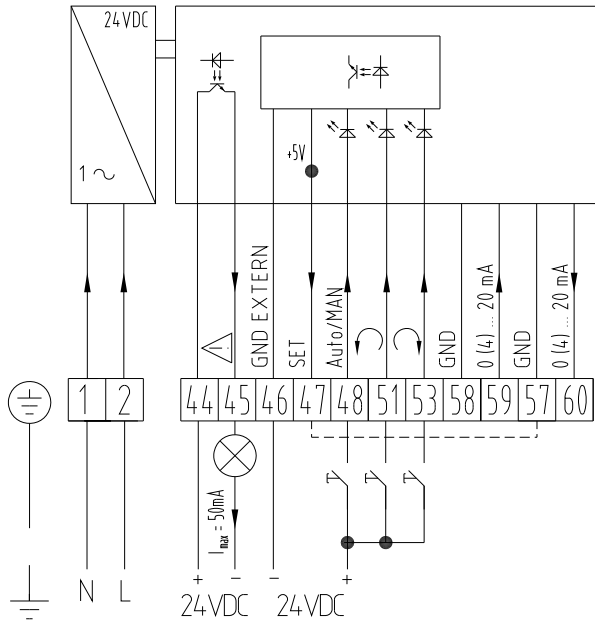
1) maximum speed and positioning force can not occur simultaneously

2) other supply voltages on request

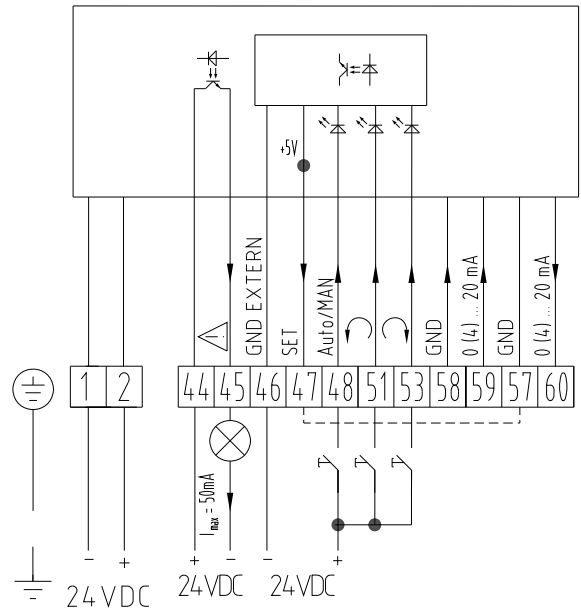
3) sm stepper motor
bldc brushless DC motor
4) E Electronic temperature protection
T thermoswitch for temperature monitoring

5) available torque see torque / speed curves
6) wider temperature range as an option
Ex version (-20 °C to +60 °C)

Electrical connection (AC)



Electrical connection (24 V DC)



Dimension sheet

